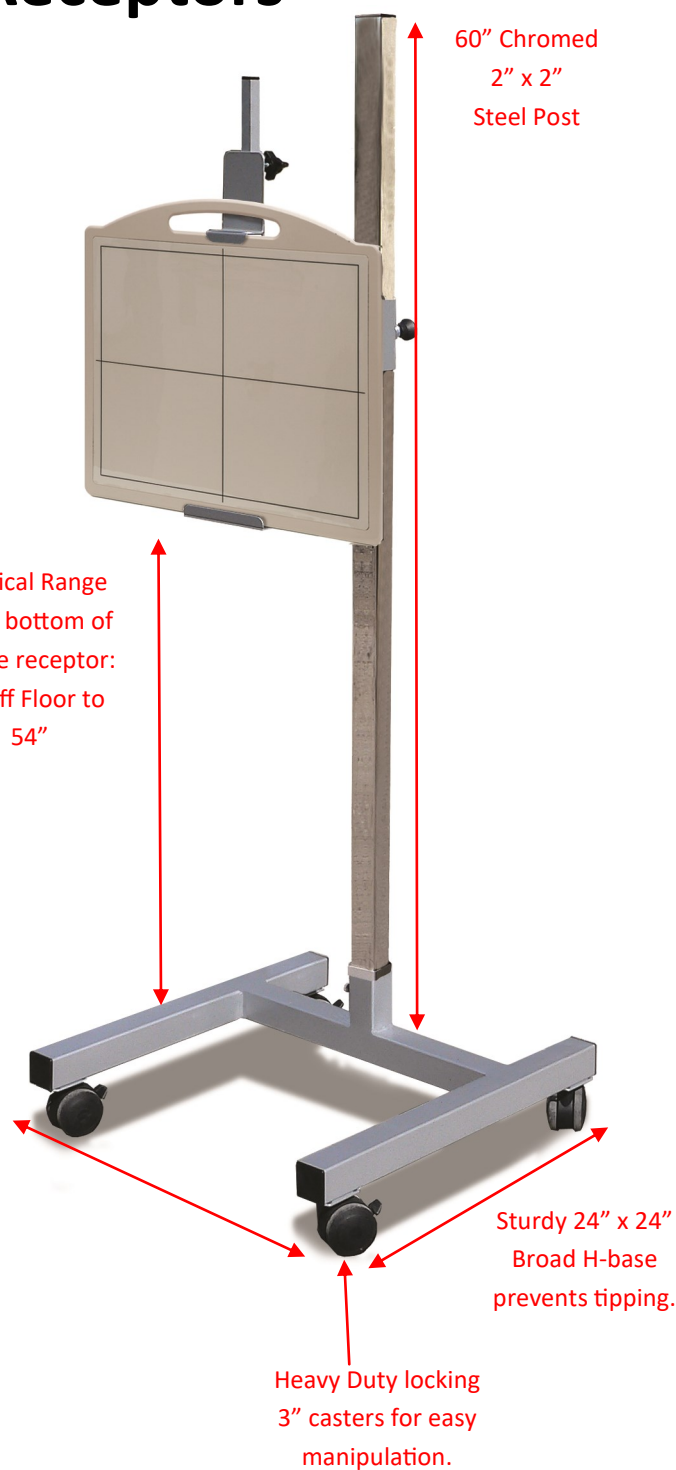
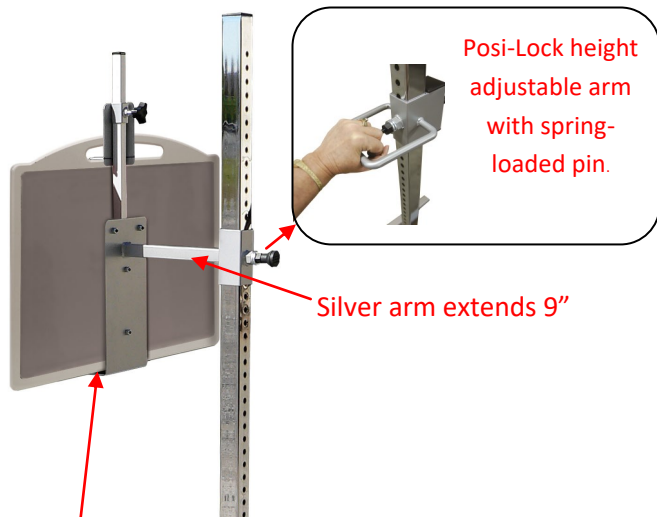


# Mobile Holder for Image Receptors

Cat# MCH-40B



DR/CR Lateral (complete mobile unit) Fixed position only (non-articulating). Mobile unit includes a vertical range from bottom of image receptor: floor to 54". Posi-lock height adjustable arm with spring loaded pin. Features 60" chromed steel post. 24" H-Base with locking casters is broad to prevent tipping. Platinum baked enamel finish. Easy to clean base is perfect for OR settings.

- Will accept image receptors up to 20" tall.
- No width limitations.
- Will hold up to 22 lbs
- Manufactured in Nashville, Tennessee USA
- One Year Warranty
- 14 Day Lead Time
- \* Ships in 3 cartons: Pole 12lbs, base 23 lbs , & arm 19 lbs.

