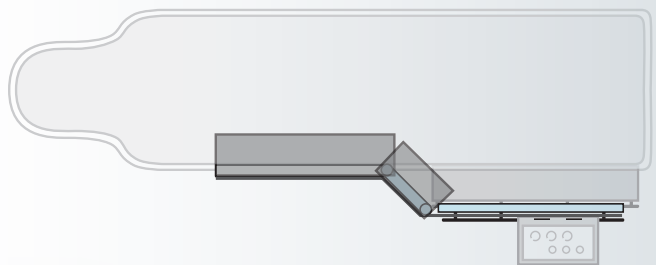


EN

UT70

A Modular Lower Body Protection
for Multiple Applications



MAVIG

UT70

With the UT70, MAVIG has created a new generation of table mounted shields to offer flexibility with maximum protection. The modular design of the lower body protection: All components are interchangeable to give you the option to decide what amount of protection is needed and from which side of the table (possible mounting position: left or right).

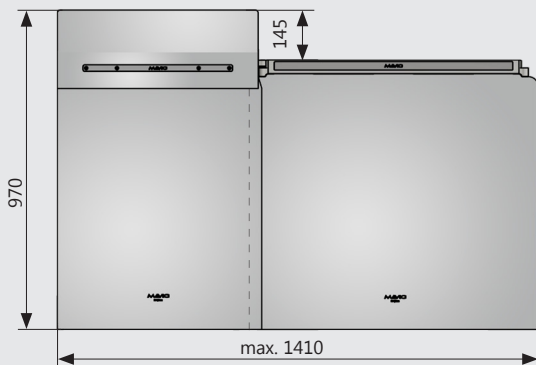
The new large X-ray protective lower body table shield does not only protect the doctor, but the assistant as well. An accessory rail has been built into the shield to give the needed space for table and C-Arm controls, as well as other required equipment.

- Lower body X-ray protection with a lead equivalent of Pb 0.50 mm for all shields/panels
- Main shield (MS) can be combined individually with additional side shields and upper shields, up to max. 1620 mm width
- Available for the following table profile rails: 7.7 x 25 mm (GE), 9 x 25 mm (Toshiba/Canon) und 10 x 25 mm (Philips/Siemens)
-> Please notice the minimum length of the table rail of 600 mm for a proper installation of the UT70.
- Additional front accessory rail to match your table profile rail
- Optional wall mounts for storage

Standard-/Example Configuration

UT70 (Standard: recommended minimum protection)

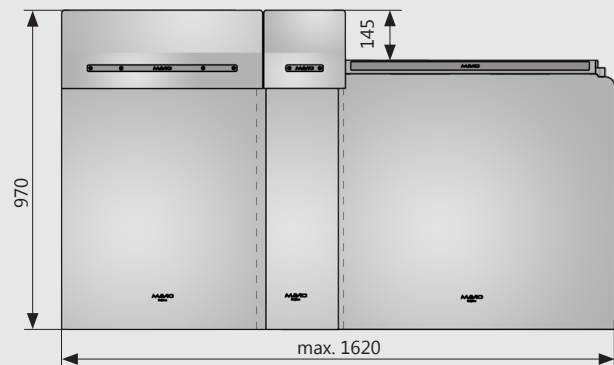
- Total width: up to 1410 mm
- Two overlapping, flexible X-ray protective shields (main shield + wide side shield)
- One removable upper shield (wide)



Article-No.: UT70-77WS with 7.7 mm accessory rail
 UT70-90WS with 9 mm accessory rail
 UT70-10WS with 10 mm accessory rail

UT70 (Maximum of protective area)

- Total width: up to 1620 mm
- Three overlapping, flexible X-ray protective shields (main shield + narrow side shield + wide side shield)
- Two removable upper shields (narrow + wide)



Article-No.: UT70-77NSWS with 7.7 mm accessory rail
 UT70-90NSWS with 9 mm accessory rail
 UT70-10NSWS with 10 mm accessory rail

UT70 Components

The modular UT70 consists of the following components which can be combined individually. We are happy to assist.

